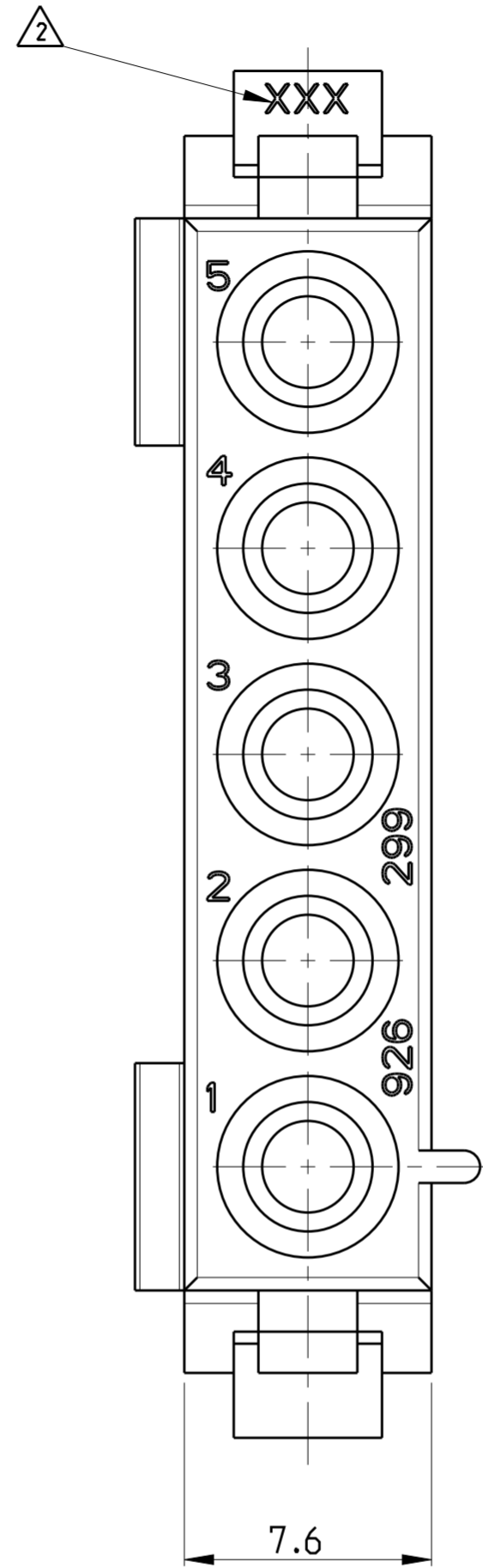
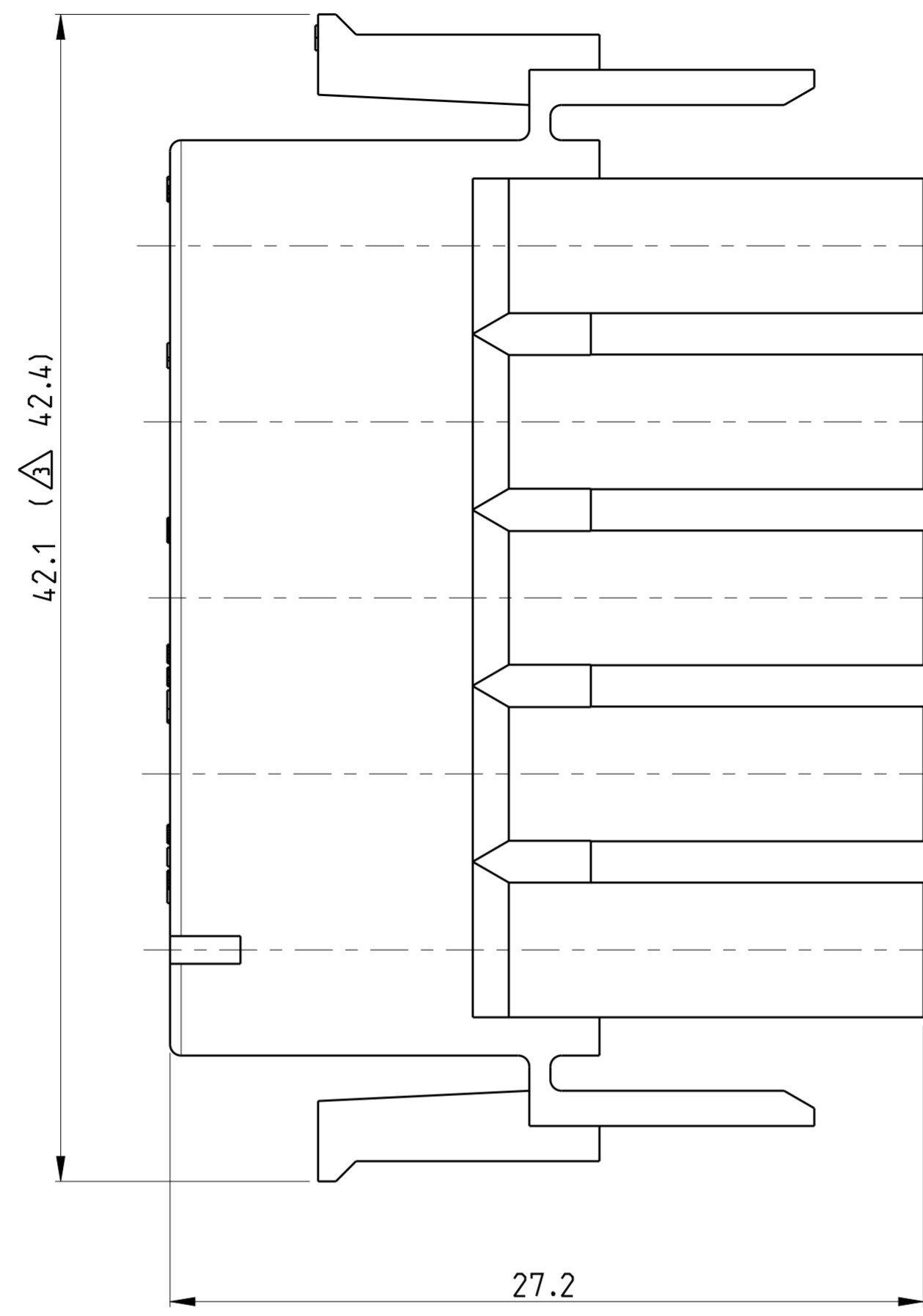
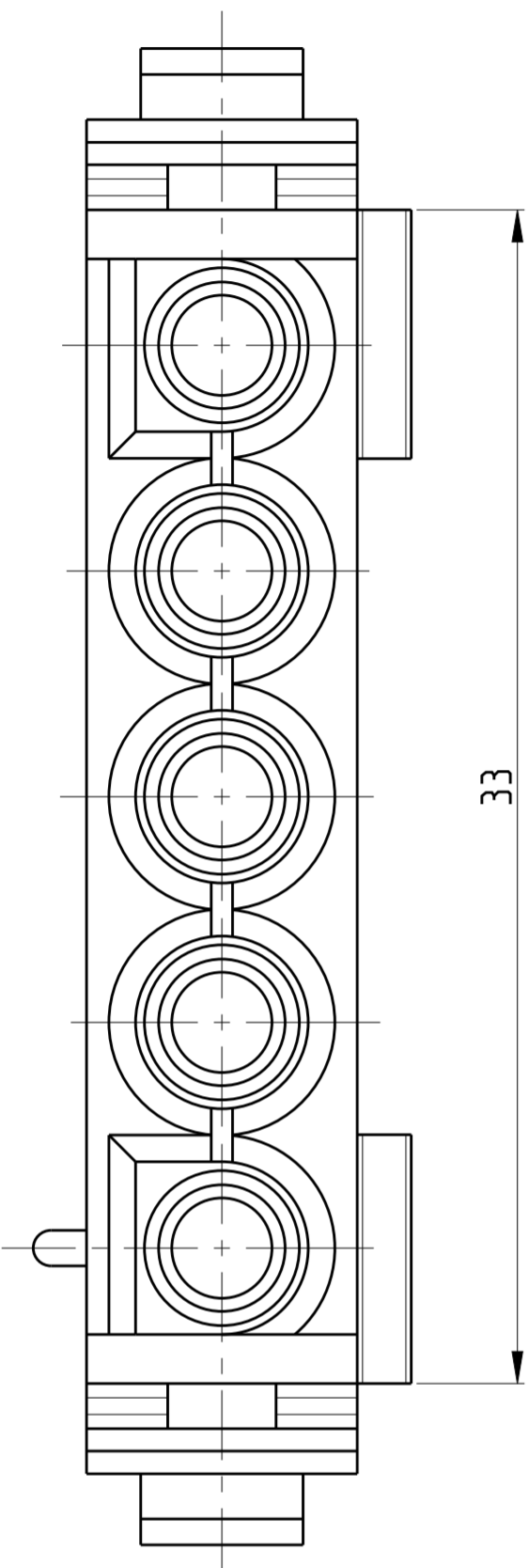


THIS DRAWING IS UNPUBLISHED. RELEASED FOR PUBLICATION 2003
 © COPYRIGHT 2003 ALL RIGHTS RESERVED.

LOC	DIST	REVISIONS					
A1	-	P	LTR	DESCRIPTION	DATE	DWN	APVD
		F1		NEW CAD-DRAWING CREATED	22MAY2003	ABR	H.K.
		F2		VARIANT -5 ADDED	31JUL2006	J.W.	W.H.
		G		ECR-12-011202	24 JUL2013	MGT	RP
		H		REVISED PER ECR-13-019169	05SEP2014	AV	DZ



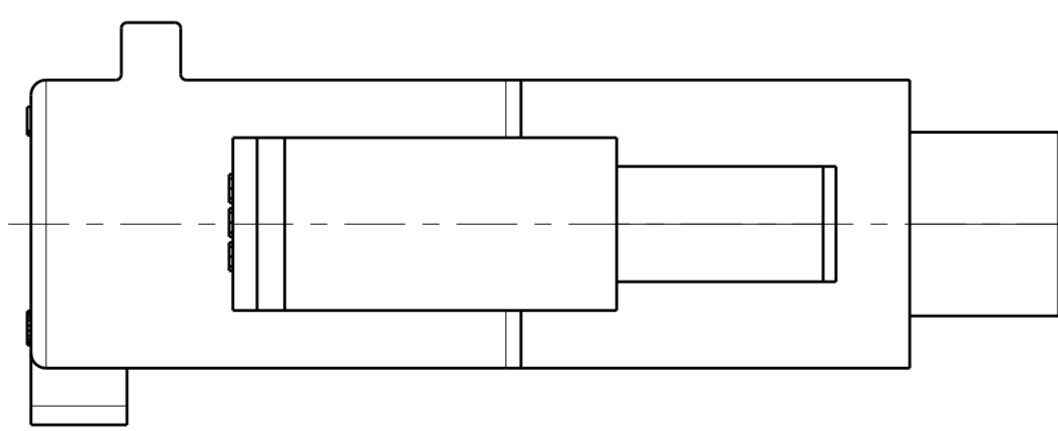
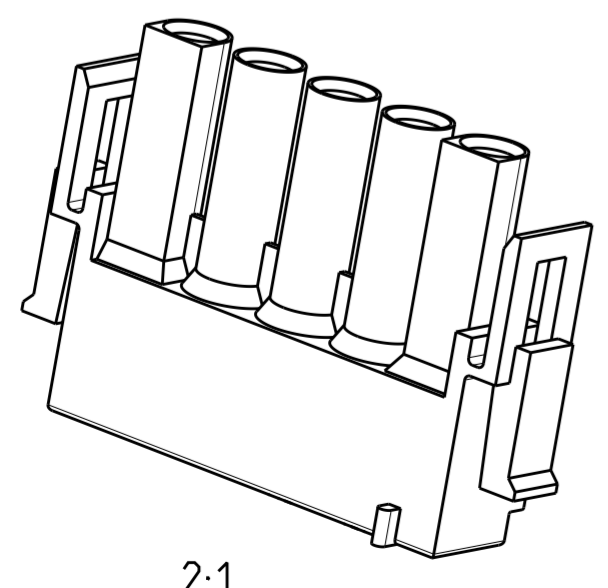
Bemerkungen
NOTES

1 Neues Material (Phosphor und Halogen frei)
 NEW MATERIAL (PHOSPHORUS AND HALOGENEUS FREE)

2 Hersteller-Logo und Ländercode
 nach AMP-Spez. 115-18016
 BRANDNAME AND MANUFACTURING LOCATION CODE
 ACCORDING SPEC. 115-18016

3 Gl ühdrahtprüfung 750 °C (ohne Flamme)
 Maß 42.4 nur für Var. ...-5
 GW T 750 °C (WITHOUT FLAME)
 DIM 42.4 ONLY FOR VAR. ...-5

4 Farbe der Gehäuse kann anhand klar, grün oder gelb
 wegen hygroskopischen Natur resin.However es hat keinen
 Einfluss auf die Form, Passform und Funktion der Produktpalette.
 COLOR OF HOUSINGS MAY RANGE FROM CLEAR TO GREEN OR YELLOW DUE
 TO HYGROSCOPIC NATURE OF RESIN. HOWEVER IT DOESN'T AFFECT THE FORM,
 FIT AND FUNCTION OF THE PRODUCT.



926299-5	PA6 UL94 V-0	3	natur NATURAL
926299-4	PA6.6 UL94 V-0		weiß WHITE
926299-3	PA6.6 UL94 V-0	1	natur NATURAL
926299-2	PA6.6 UL94 V-0		schwarz BLACK
926299-1	PA 66 UL94 V-2	4	natur NATURAL
PART NO.	MATERIAL		COLOR

THIS DRAWING IS A CONTROLLED DOCUMENT.

DWN Abraham.G. 22MAY03
 CHK Kampmann.H. 23MAY03
 APVD -

STE TE Connectivity

NAME: 5-pol. Steckergehäuse
 5 WAY PLUG

PRODUCT SPEC: 108-1031
 APPLICATION SPEC: 114-18011

WEIGHT: 3.1 g

SCALE: 5:1 SHEET 1 OF 1 REV H

MATERIAL: SEE TABLE

TOLERANCES UNLESS OTHERWISE SPECIFIED:
 0 PLC ±
 1 PLC ± 0.2
 2 PLC ±
 3 PLC ±
 4 PLC ±
 ANGLES ±°
 FINISH

SIZE: A2 CAGE CODE: 926299

CUSTOMER DRAWING